

Safety thermocouple

Quick response for use in exhaust gas and air, operating pressure 25bar

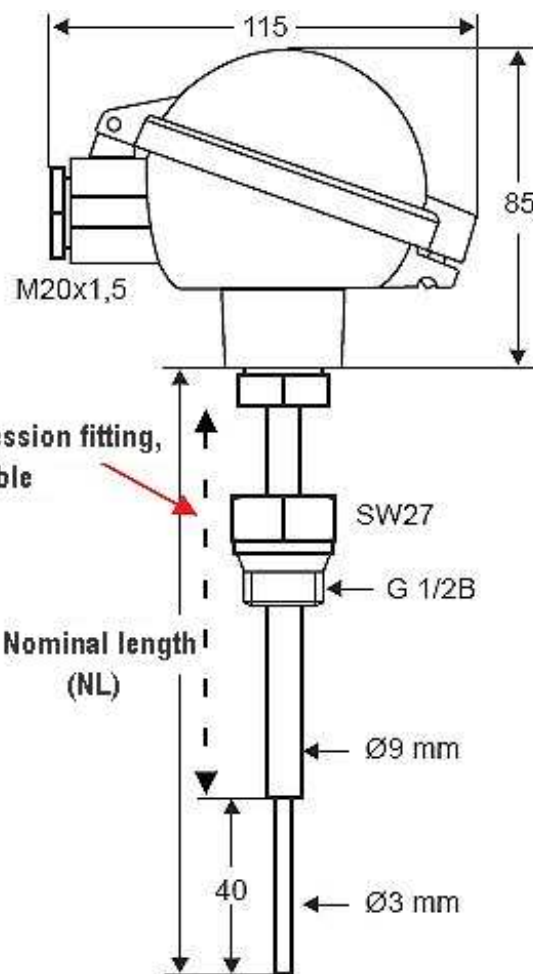
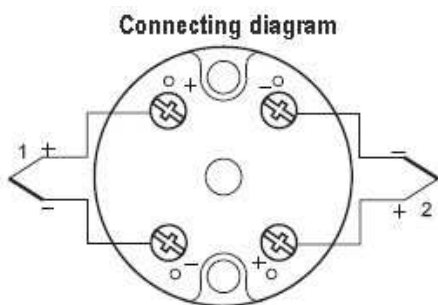
Features

- Approved sensor for use in conjunction with safety temperature limiter STB55 in gases SIL2 (EN61508) and EN14597 (replaces DIN3440)
- 2 x thermocouples type J, K or N, isolated
- Ex-version ATEX Ex-i GD for gases and dusts
- Max. working temperature according class 1
- Operating pressure 25 bar
- Protection tube D = 9/3 mm, Inconel 600 W-Nr. 2.4816
- Process connection: adjustable compression fitting G 1/2B
- Termination head BSZ (aluminum) IP65 with hinged lid

Temperature response:

A temperature jump at the measurement point is given at the output after the following time:

Medium T63,2 %
 Exhaust gas: typical 20 s
 Air: typical 22 s



Order information (stock types)

Nominal length NL	TC-type	Order-no.
250 mm	K	TS-1135-11-198
600 mm	K	TS-1135-11-225
1000 mm	K	TS-1135-11-259
250 mm	J	TS-1135-21-036
400 mm	J	TS-1135-21-045
250 mm	N	TS-1135-41-007
600 mm	N	TS-1135-41-008

EEx-versions and other lengths on request !



Deutschland
 Prozeß- und Maschinen- Automation GmbH
 P.O. Box 31 02 29
 D-34058 Kassel
 Tel.: +49 - 561- 505 1307
 Fax: +49 - 561- 505 1710
 E-mail: mailbox@pma-online.de
 Internet: http://www.pma-online.de

Österreich
 PMA Prozeß- und Maschinen-Automation GmbH
 Zweigniederlassung Österreich
 Triester Str. 64, A-1100 Wien
 Tel.: +43 - 1- 60101- 1865
 Fax: +43 - 1- 60101- 1911
 E-mail: info@pma-online.at

Safety thermocouple

Quick response for use in water, oil and air, operating pressure 40bar

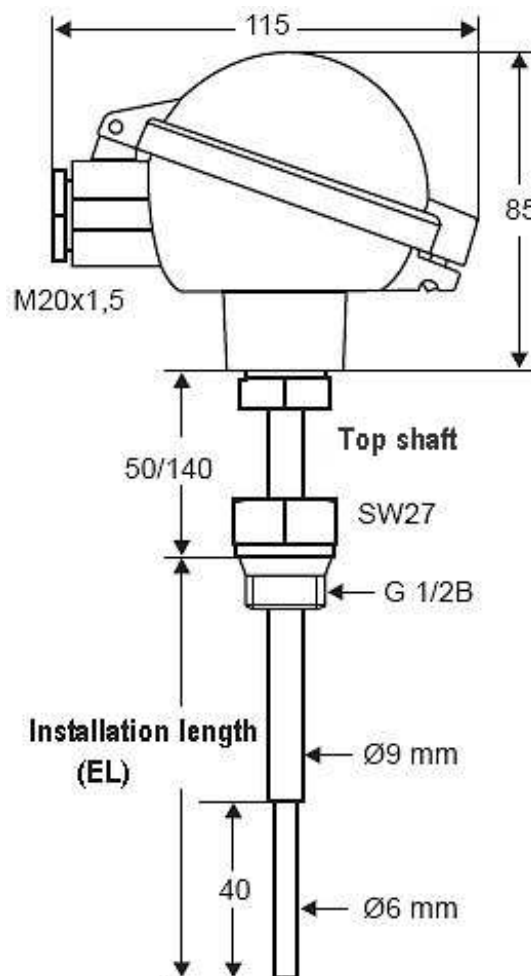
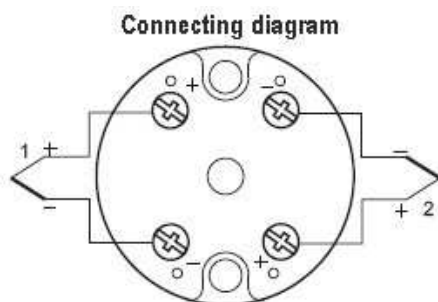
Features

- Approved sensor for use in conjunction with safety temperature limiter STB55, SIL2 (EN61508) and EN14597 (replaces DIN3440)
- 2 x thermocouples type J, K or N, isolated
- Ex-version ATEX Ex-i GD for gases and dusts
- Max. working temperature according class 1
- Operating pressure 40 bar
- Protection tube D = 9/6 mm, Inconel 600 W-Nr. 2.4816
- Process connection: fitting G 1/2B
- Termination head BSZ (aluminum) IP65 with hinged lid

Temperature response:

A temperature jump at the measurement point is given at the output after the following time:

Medium	T63,2 %
Water:	typical 20 s
Oil:	typical 30
Air:	typical 85 s



Order information (stock types)

Nominal length EL	TC type	Top shaft length	Order-no.
100 mm	K	50 mm	TS-1135-197
400 mm	K	50 mm	TS-1135-221
100 mm	J	50 mm	TS-1135-035
160 mm	J	50 mm	TS-1135-043
600 mm	J	140 mm	TS-1135-041
100 mm	N	50 mm	TS-1135-006

EEx-versions and other lengths on request !



Deutschland
 Prozeß- und Maschinen- Automation GmbH
 P.O. Box 31 02 29
 D-34058 Kassel
 Tel.: +49 - 561- 505 1307
 Fax: +49 - 561- 505 1710
 E-mail: mailbox@pma-online.de
 Internet: http://www.pma-online.de

Österreich
 PMA Prozeß- und Maschinen-Automation GmbH
 Zweigniederlassung Österreich
 Triester Str. 64, A-1100 Wien
 Tel.: +43 - 1- 60101- 1865
 Fax: +43 - 1- 60101- 1911
 E-mail: info@pma-online.at

Safety resistance thermometer

Quick response for use in gas and air, operating pressure 25bar

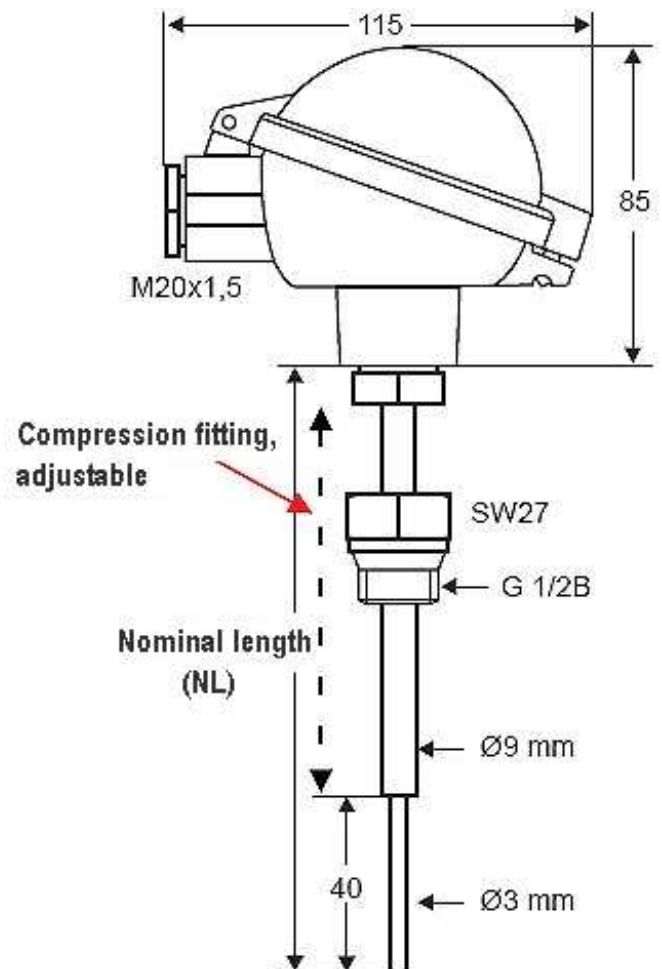
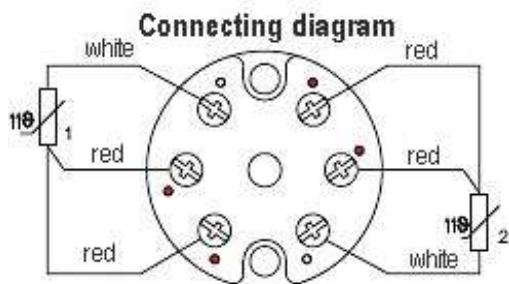
Features

- Approved sensor for use in conjunction with safety temperature limiter STB55, SIL2 (EN61508) and EN14597 (replaces DIN3440)
- 2 x Pt100class A, 3-wire
- Ex-version ATEX Ex-i GD for gases and dusts
- Max. working temperature -100 ... 600 °C
- Operating pressure 25 bar
- Protection tube D = 9/3 mm, stainless steel 1.4571
- Process connection: adjustable compression fitting G 1/2B
- Termination head BSZ (aluminum) IP65 with hinged lid

Temperature response:

A temperature jump at the measurement point is given at the output after the following time:

Medium	T63,2 %
Exhaust gas:	typical 22 s
Air:	typical 20 s



Order information (stock types)

Nominal length NL	Order-no.
100 mm	TS-2135-1-351
160 mm	TS-2135-1-352
250 mm	TS-2135-1-303
400 mm	TS-2135-1-361
600 mm	TS-2135-1-397

EEx-versions and other lengths on request !



Deutschland
 Prozeß- und Maschinen- Automation GmbH
 P.O. Box 31 02 29
 D-34058 Kassel
 Tel.: +49 - 561- 505 1307
 Fax: +49 - 561- 505 1710
 E-mail: mailbox@pma-online.de
 Internet: http://www.pma-online.de

Österreich
 PMA Prozeß- und Maschinen-Automation
 GmbH
 Zweigniederlassung Österreich
 Triester Str. 64, A-1100 Wien
 Tel.: +43 - 1- 60101- 1865
 Fax: +43 - 1- 60101- 1911
 E-mail: info@pma-online.at

Safety resistance thermometer

Quick response for use in water, oil and air, operating pressure 40bar

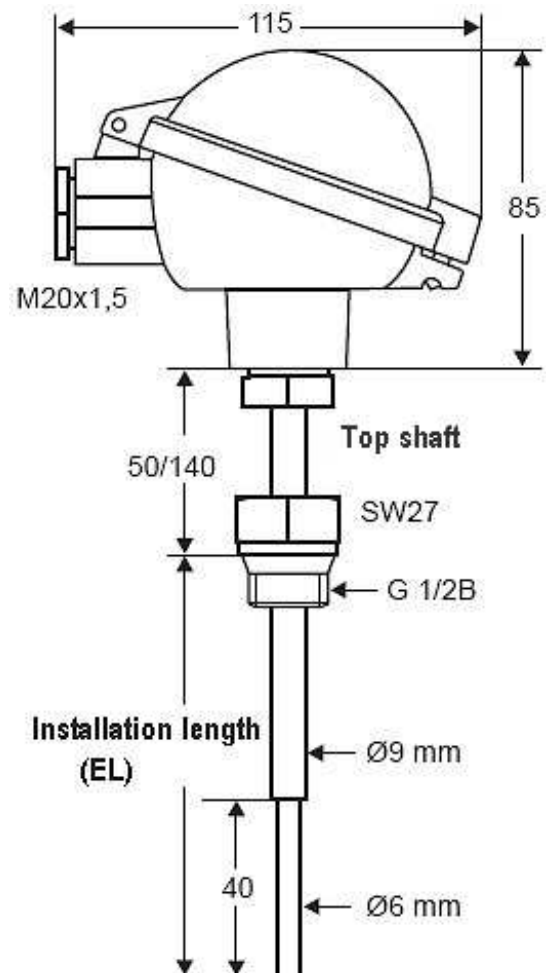
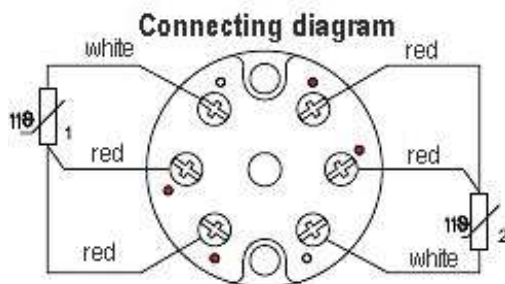
Features

- Approved sensor for use in conjunction with safety temperature limiter STB55 in gases SIL2 (EN61508) and EN14597 (replaces DIN3440)
- 2 x Pt100 class A, 3-wire
- Ex-version ATEX Ex-i GD for gases and dusts
- Max. working temperature -100 ... 600 °C
- Operating pressure 40 bar
- Protection tube D = 9/6 mm, stainless steel 1.4571
- Process connection: fitting G 1/2B
- Termination head BSZ (aluminum) IP65 with hinged lid

Temperature response:

A temperature jump at the measurement point is given at the output after the following time:

Medium	T63,2 %
Exhaust gas:	typical 20 s
Oil:	typical 30 s
Air:	typical 85 s



Order information (stock types)

Nominal length EL	Top shaft length	Order-no.
100 mm	50 mm	TS-2135-1-302
160 mm	50 mm	TS-2135-1-349
160 mm	140 mm	TS-2135-1-355
250 mm	50 mm	TS-2135-1-350
300 mm	50 mm	TS-2135-1-399
600 mm	50 mm	TS-2135-1-400
600 mm	140 mm	TS-2135-1-428

EEx-versions and other lengths on request !



Deutschland
 Prozeß- und Maschinen- Automation GmbH
 P.O. Box 31 02 29
 D-34058 Kassel
 Tel.: +49 - 561- 505 1307
 Fax: +49 - 561- 505 1710
 E-mail: mailbox@pma-online.de
 Internet: http://www.pma-online.de

Österreich
 PMA Prozeß- und Maschinen-Automation GmbH
 Zweigniederlassung Österreich
 Triester Str. 64, A-1100 Wien
 Tel.: +43 - 1- 60101- 1865
 Fax: +43 - 1- 60101- 1911
 E-mail: info@pma-online.at