
SB8L beam load cell



product description

The SB8L bending beam offers all of the advantages of the SB8 but is designed for heavier duty applications. Capacities extend to 1000kg ideal for IBC bag filling applications or more general purpose industrial weight measurement in process industries. All stainless steel and hermetically sealed the SB8L is the ideal choice high accuracy industrial weighing machinery.

applications

IBC bagging machinery, conveyor scales, vessel and hopper weighing systems..

key features

Stainless steel construction

Hermetically sealed to IP68

High capacity range from 300kg to 1,000kg

High accuracy

approvals

OIML approval to C3 (Y = 12,000)

accessories

Compatible range of hardware

Compatible range of electronics



RoHS
compliant



specifications

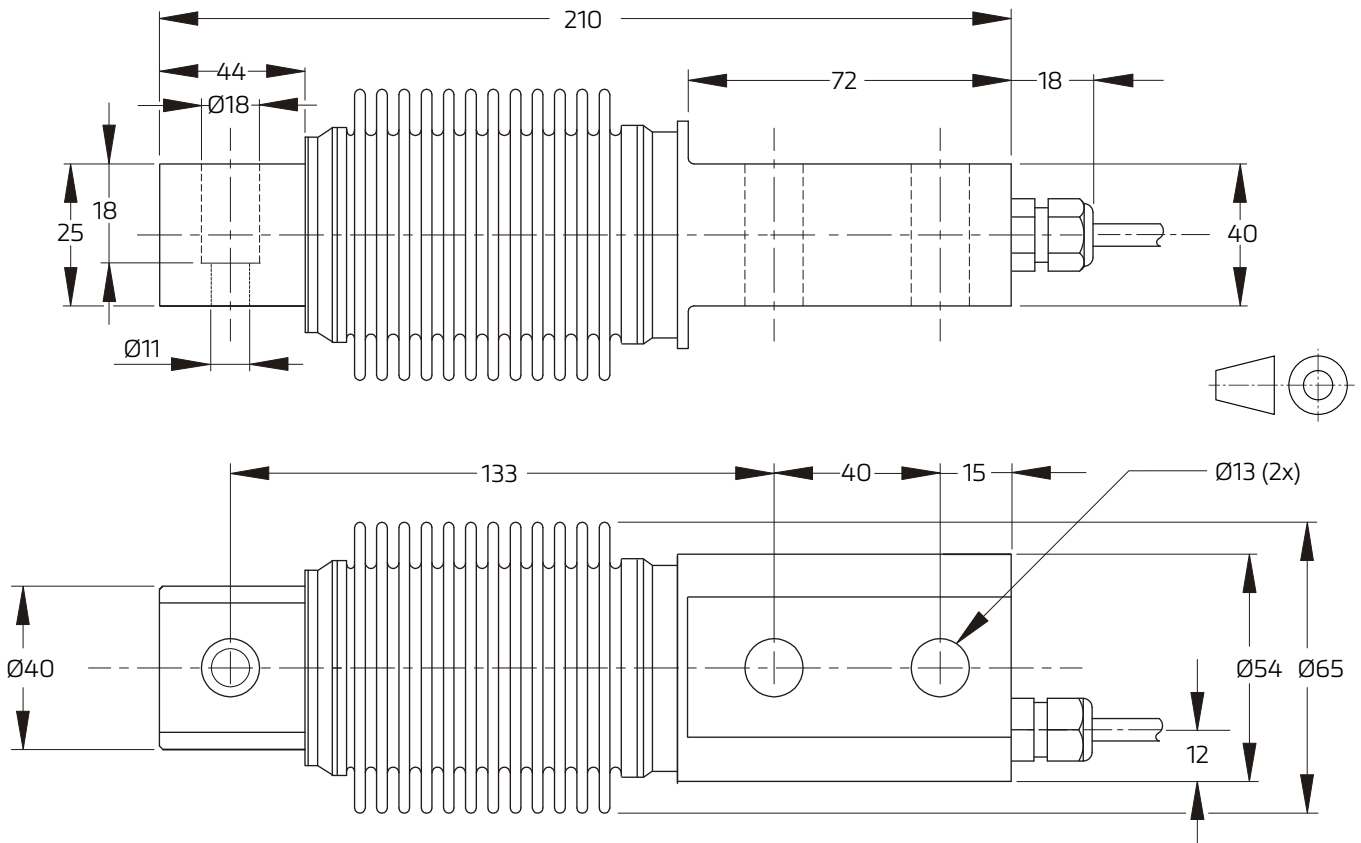
Maximum capacity (E_{max})	kg	300 / 500 / 1,000	
Minimum capacity (E_{min})	kg	0.67% * E_{max}	
Accuracy class according OIML R60		(GP)	C3
Maximum number of verification intervals (n_{LC})		n.V.	3,000
Minimum load cell verification interval (v_{min})		n.V.	$E_{max} / 12,000$
Temperature effect on minimum dead load output (TC_0)	%*RO/10°C	± 0.0400	± 0.0140
Temperature effect on sensitivity (TC_{RO})	%*RO/10°C	± 0.0200	± 0.0110
Combined error	%*RO	± 0.0500	± 0.0200
Non-linearity	%*RO	± 0.0400	± 0.0166
Hysteresis	%*RO	± 0.0400	± 0.0166
Creep error (30 minutes)	%*RO	± 0.0600	± 0.0250
Rated output (RO)	mV/V	2 ± 0.2%	
Zero balance	%*RO	± 3	
Excitation voltage	V	5...12	
Input resistance (R_{LC})	Ω	385 ± 20	
Output resistance (R_{out})	Ω	350 ± 1	
Insulation resistance (100 V DC)	MΩ	≥ 5,000	
Safe load limit (E_{lim})	%* E_{max}	125	
Ultimate load	%* E_{max}	300	
Safe side load	%* E_{max}	100	
Compensated temperature range	°C	-10...+40	
Operating temperature range	°C	-30...+50	
Load cell material		stainless steel 17-4 PH (1.4548)	
Protection according EN 60 529		IP68 (up to 2m water depth)	
Packet weight	kg	2.4	

The limits for Non-Linearity, Hysteresis and TCRO are typical values.

The sum of Non-Linearity, Hysteresis and TCRO meets the requirements according to OIML R 60 with pLC=0.7.



product dimensions (mm)



Mounting bolts M12 8.8; torque 90 Nm. Torque value assumes oiled threads.

wiring

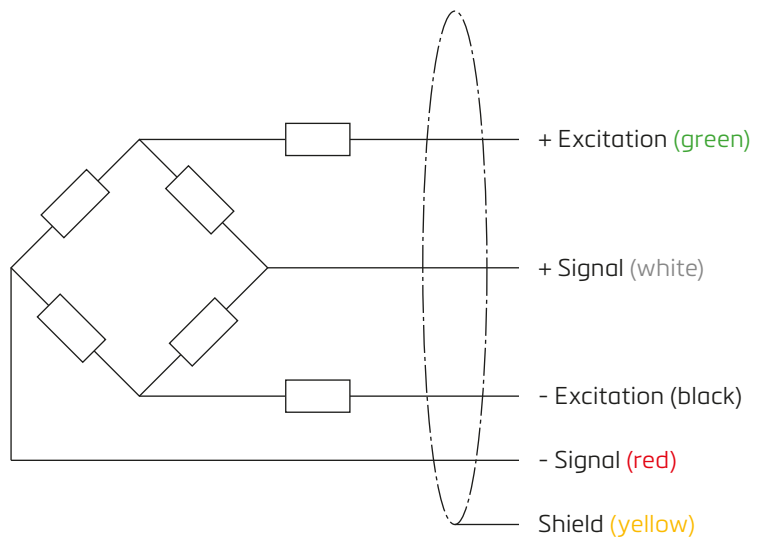
The load cell is provided with a shielded, 4 conductor cable (AWG 24).

Cable jacket polyurethane

Cable length: 3 m

Cable diameter: 5.8 mm

The shield is not connected to the load cell body



Specifications and dimensions are subject to change without notice.