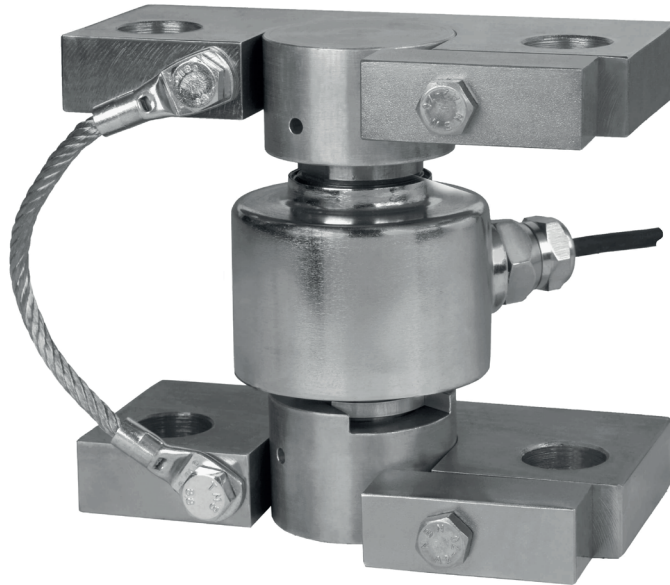


---

# 55-01-07D rocker system



## product description

Flintec load cell supports are designed to prevent unwanted forces from affecting load cell performance.

The 55-01-07D rocker system is a low-profile mount designed for use with the low capacity range of RC3 load cells. Manufactured from zinc plated steel it guarantees optimum weighing performance in high capacity industrial platform scales. An alignment fixture is available for accurate vertical alignment of the load cell.

## applications

High capacity industrial platform scales and coil weighing systems.

## accessories

Alignment fixture

---

Welding plate

---

## key features

Zinc plated steel construction

---

Anti-rotation cups

---

Self-aligning

---

Low profile

---

Capacities of 7.5t, 15t and 22.5t

---

Low cost

---

Very easy to install

---

Especially designed for medium and high capacity platform scales

---

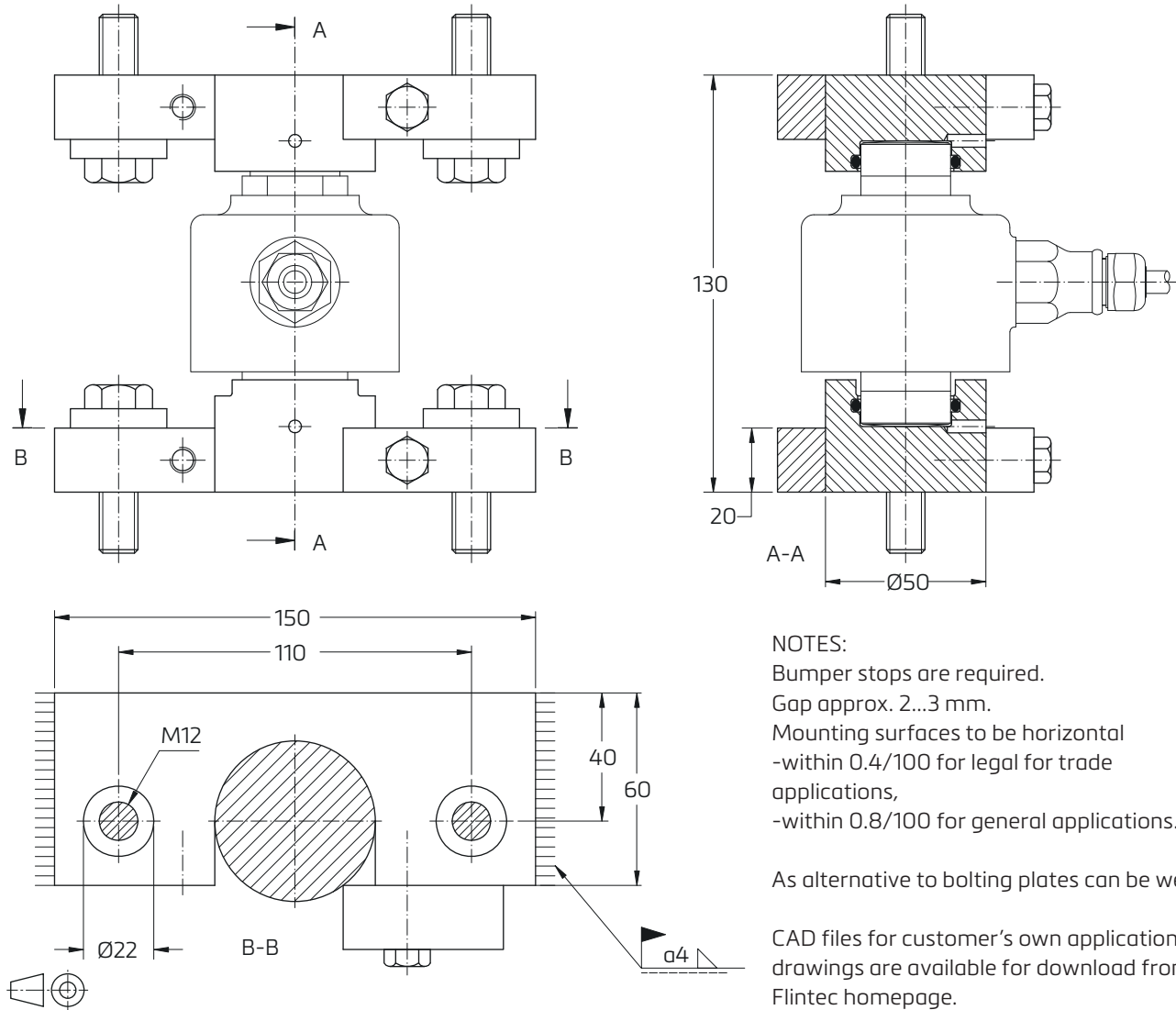
W&M certified

---

RoHS  
compliant

 **flintec**  
quality + precision

product dimensions (mm)



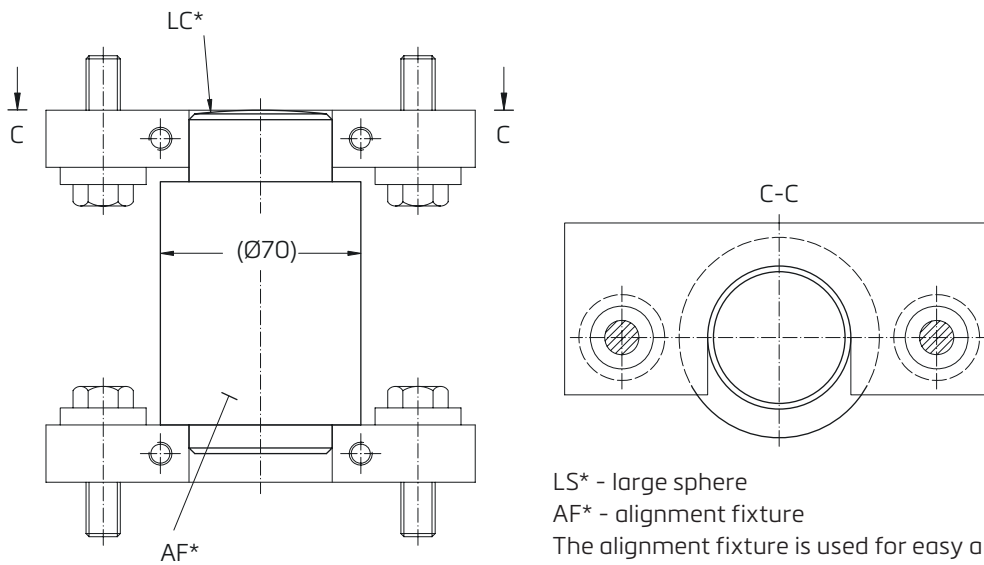
NOTES:

- Bumper stops are required.
- Gap approx. 2...3 mm.
- Mounting surfaces to be horizontal
  - within 0.4/100 for legal for trade applications,
  - within 0.8/100 for general applications.

As alternative to bolting plates can be welded.

CAD files for customer's own application drawings are available for download from the Flintec homepage.

accessory



LS\* - large sphere

AF\* - alignment fixture

The alignment fixture is used for easy and accurate positioning.

Dimensions and specifications are subject to change without notice.

