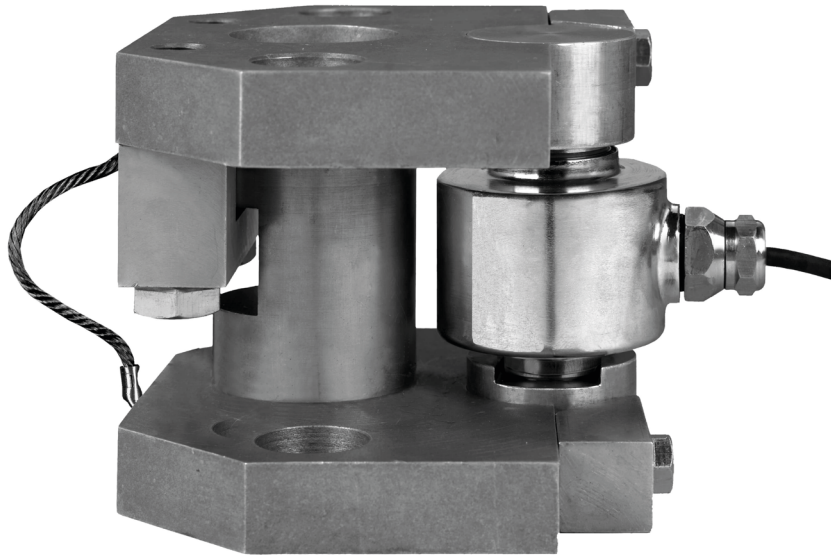


# 55-01-10 weigh module



## product description

Flintec load cell supports are designed to prevent unwanted forces from affecting load cell performance.

The type 55-01-10 is a self-aligning weigh module, with excellent load introduction. The module is especially designed for using Flintec rocker column load cells in hopper and tank weighing applications. The module incorporates an integrated bumper stop eliminating the need for check links thereby offering highest possible precision. The Weigh Module will be shipped pre-assembled; ready for installation by bolting or welding.

## applications

Hopper and tank weighing systems.

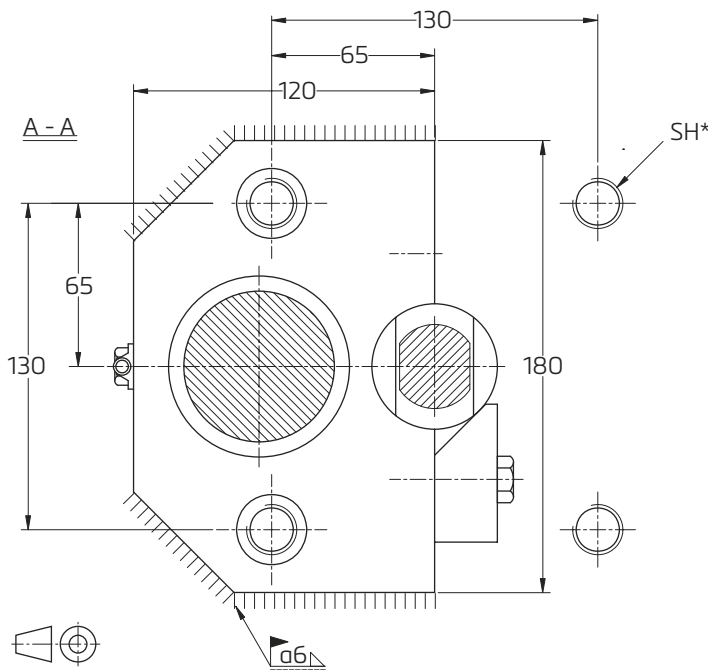
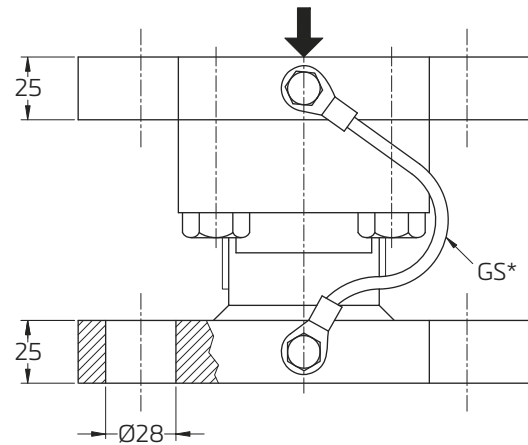
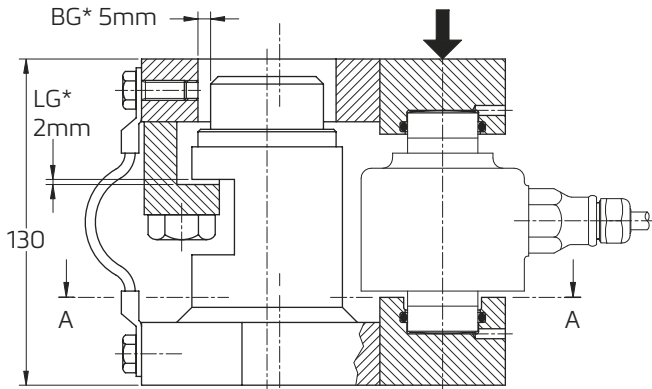
## key features

- All stainless-steel construction
- Capacities 7.5t, 15t and 22.5t
- Self-aligning
- Very easy to install
- Very rugged
- Especially designed for hopper and tank weighing
- Integrated bumper-stop for highest accuracy
- Integrated lift-off protection
- Load cell replacement requires minimum lifting height
- W&M certified

RoHS  
compliant

 **flintec**  
quality + precision

## product dimensions (mm)



BG\* - bumper gap 5mm  
 GS\* - ground strap  
 SH\* - Symmetrical hole picture with 4 holes allows orientation at installation in 90° steps.

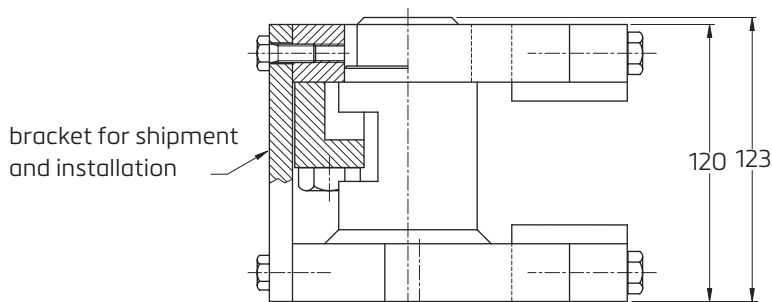
M20 mounting screws (4x) to be used in combination with washer 21x37x3. Screws to be torqued 400Nm.

Tank foot and foundation plate to be horizontal:  
 -within 0.4/100 for legal for trade applications  
 -within 0.8/100 for general applications  
 Maximum force on bumper: 75kN  
 Maximum force on lift off protection: 75kN  
 Module weight excluding load cell: 11kg

REMARK: Welding instead of bolting is a very practical alternative eliminating problems of getting holes on top and bottom lined up. (Weld as shown)

CAD files for customer's own application drawings are available for download from the Flintec homepage.

## module assembled for shipment and installation



Dimensions and specifications are subject to change without notice.