

Bending Beam Load Cell 20kg ... 200kg Type N/C3

global weighing technologies



MP 47

- Full stainless steel construction
- Compatible with other sources
- Hermetically welded seal (IP67)
- Approved to OIML R60

APPLICATIONS

- Platform scales
- Tank & Hopper scales
- Conveyor scales
- Mechanical scale conversions

Technical Data

Accuracy class

Minimum dead load

Rated capacity

Safe overload

Rated output

Tolerance on rated output

Tolerance on zero signal

Repeatability

Creep, during 30 min.

Temperature effect on zero

Temperature effect on output

Input impedance

Output impedance

Insulation impedance

Recommended supply voltage

Max. supply voltage

Nominal ambient temp. range

Usable ambient temp. range

Cable

Protection class

N

0.03 %

E_{min}

E_{max}

E_U

C_n

d_C

S_{min}

E_R

d_{cr}

TK_{smin}

TK_c

R_{LC}

R_O

R_{IS}

B_u

U_{max}

B_T

B_{TU}

-

-

C3

0.02 %

0 % E_{max}

s.table

150 % E_{max}

2 mV/V

± 0.25 % C_n

± 1 % C_n

< 0.01 % C_n

< 0.017 % C_n

< 0.023 % $C_n/10K$

< 0.011 % $C_n/10K$

400 $\Omega \pm 20 \Omega$

350 $\Omega \pm 3.5 \Omega$

$< 2000 \times 10^6 \Omega$

10 V

15 V

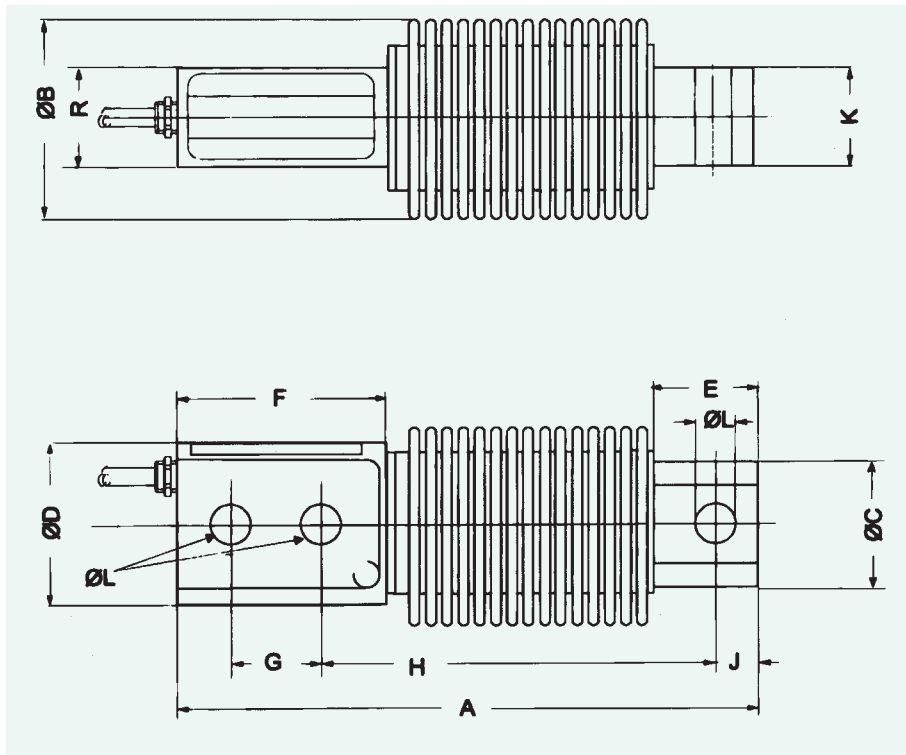
-10...+40°C

-20...+65°C

3 m, 4 wires with screen

IP 67





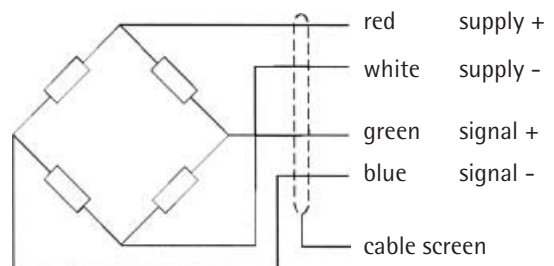
Dimensions all in mm

Capacity	A	B	C	D	E	F	G	H	J	K	L	R	Weight
20 kg ... 200 kg	120	40	23	31.75	20	42	18	82	10	20	8.2	20	1.8 kg

Type and Order Code

Max. capacity
2 mV/V

MP 47/21 N	MP 47/21 C3	20 kg
MP 47/51 N	MP 47/51 C3	50 kg
MP 47/12 N	MP 47/12 C3	100 kg
MP 47/22 N	MP 47/22 C3	200 kg



The technical data given here serve only as a product description and must not be interpreted as guaranteed characteristics in the legal sense. Definitions acc. to VDI/VDE 2637, Technical data and dimensions for product description only. Subject to change without notice.

Autoryzowany przedstawiciel GWT GLOBAL Weighing Technology

P.H.U. WEGA Andrzej Zubka
 80-299 Gdansk Osowa
 ul. Kasjopei 30A
 Dział handlowy
 Tel. (058) 554-52-29
 Fax. (058) 522-90-05
 e-mail: wega@gd.onet.pl
 http://www.phu-wega.pl

GWT Global Weighing Technologies GmbH
 Meiendorfer Straße 205
 D-22145 Hamburg, Germany
 Tel. (+49) 40 679 60-303
 Fax (+49) 40 679 60-383
 www.global-weighing.com